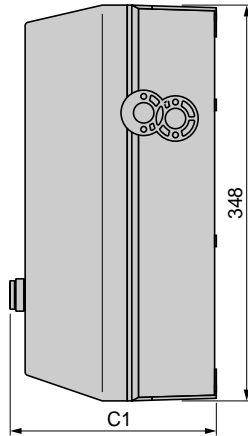
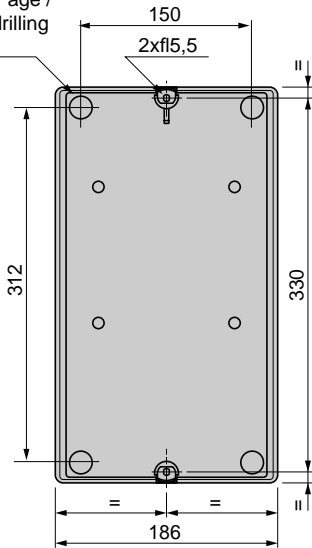



LE3-D09 - D35

Contreper age /
Counter-drilling
4xfl6

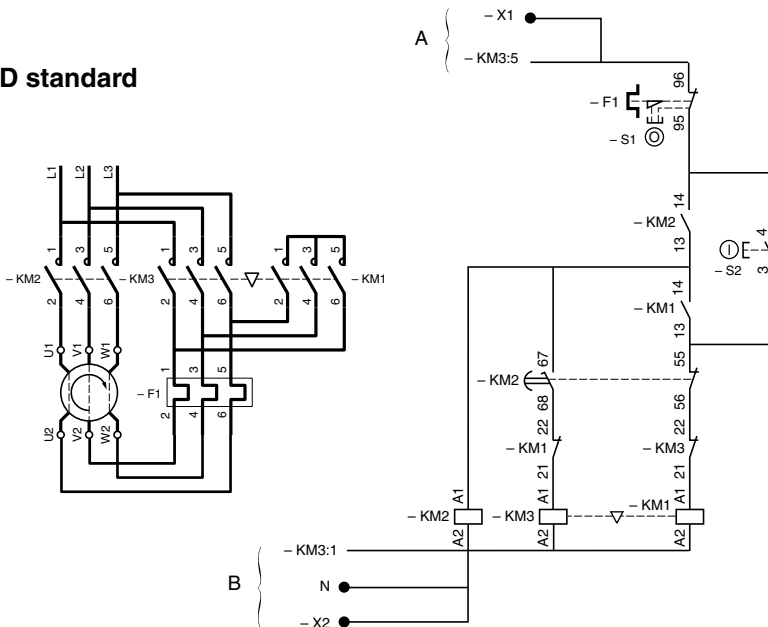


LE3D09 - 35	C1
Version Standard / Standard version	182
Version A04 / A04 version	167
Version A05 / A05 version	175,5

LE3-D09 / D12 / D18 / D35

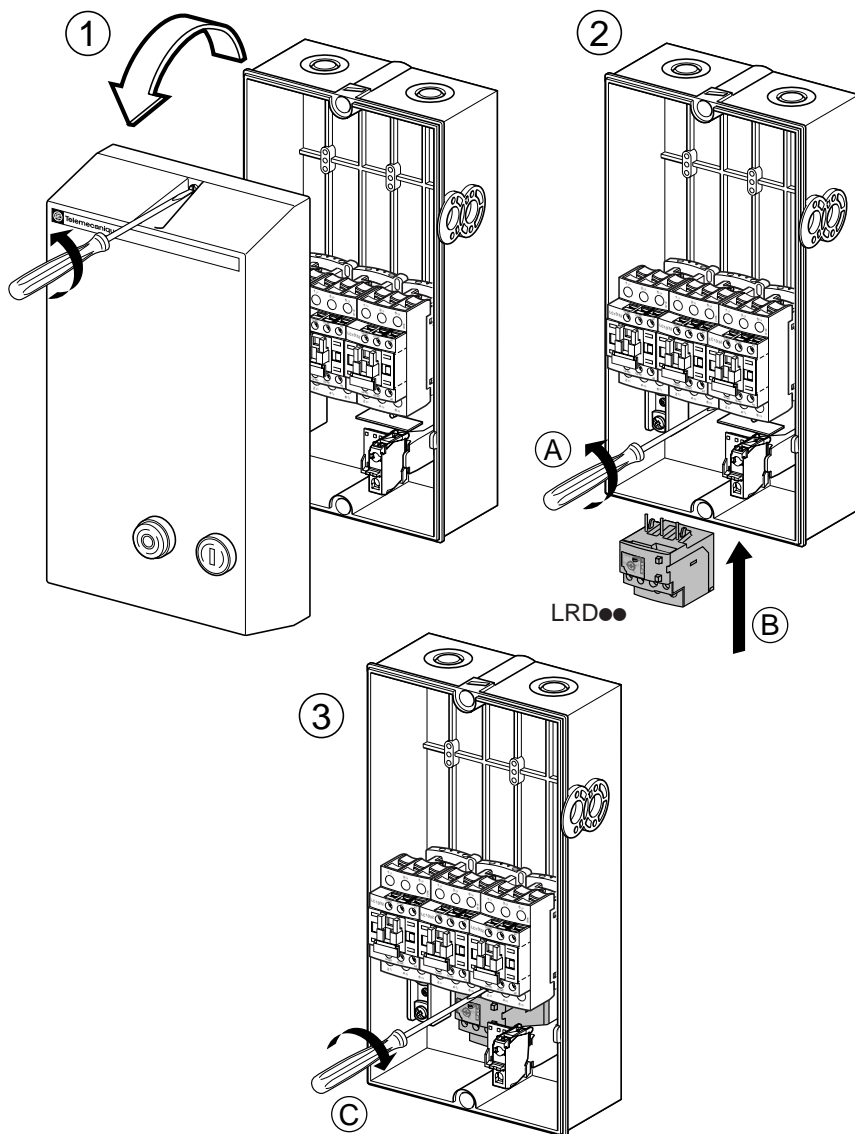
LE3-D	3 ~ 50/60 Hz AC3 θ 40 °C				LRD●●	 a M (A)
	220 V	380/400 V	415 V	440 V		
	kW	kW	kW	kW		
09	1,5	3	3	3	08	8
	3	5,5	5,5	5,5	12	12
	4	7,5	7,5	7,5	14	20
12	5,5	11	11	11	21	25
18	11	18,5	22	22	32	40
35	15	30	30	30	35	63

LE3-D standard



		Raccordements / Connections	
Tension bobine / Coil voltage		A	B
220 V, 230 V, 240 V	LE3-D09 - D35	KM3 : 5	Borne N/Terminal N
380 V	LE3-D09 - D35	KM3 : 5	KM3 : 1
Autres tensions / Other voltages	LE3-D09 - D35	Borne 1/Terminal 1	Borne 2/Terminal 2

LE3-D09 / D12 / D18 / D35



Montage relais/relay mounting :LE3-D09/12/18 :C = 1,7Nm.

LE3-D35 :C = 2,5Nm

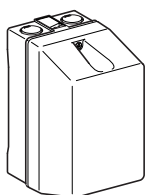
Câblage relais/relay wiring : C = 2,5Nm

Câblage KM2 / KM2 wiring :LE3-D09/12 :C = 1,7Nm.

LE3-D18/35 :C = 2,5Nm.

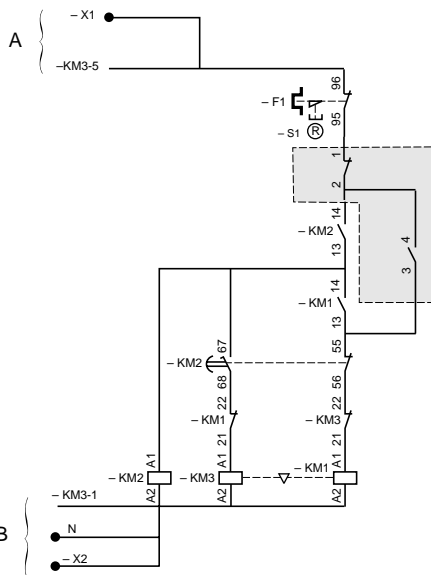
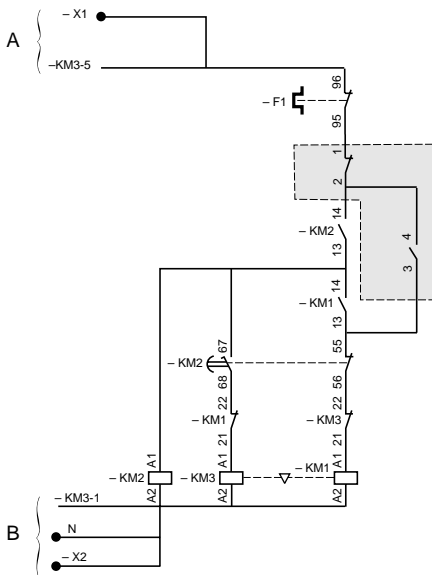
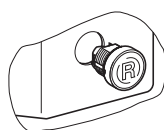
LE3-D09 / D12 / D18 / D35

LE3-D09 - D35 A04

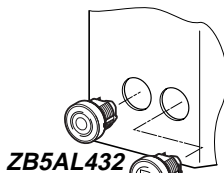


Commande à distance
Remote control

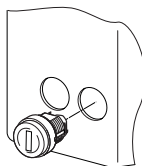
LE3-D09 - D35 A05



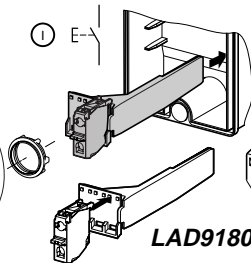
LAD9T4



ZB5AA0 + ZBA639



ZB5AA331



LAD91809

1 x ZENL1111

